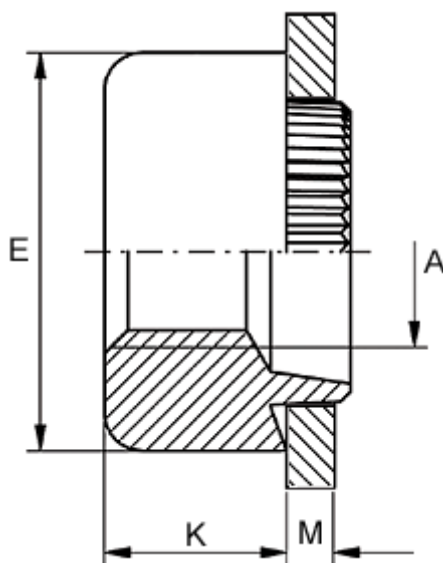


Article number: 12732000020700
Description: KLEE-coil 732 000 020.700
M2 Light-alloy metal

Measures



Female thread A	= M2
Height K	= 2.0
Outer diameter E	= 5.0
Plate thickness	= 3.2 to 3.4
Recommended bore diameter +0.05	= 4.0